



**REFRIGERATION**

**SERVING THE FOOD INDUSTRY SINCE 1951**

## 50-INCH REFRIGERATED PIZZA PREP TABLE

Item: 50042 | Model: PT-CN-1270-HC



### **CREATE YOUR SIGNATURE PIZZAS FAST AND EASY**

Omcan's 50-inch refrigerated pizza prep table is durable and built to meet your daily demands. It offers great storage space and work area which helps you store and prepare ingredients fast and easy. This prep table uses Hydro-Carbon R290 refrigerant, which is environmentally friendly and more efficient.

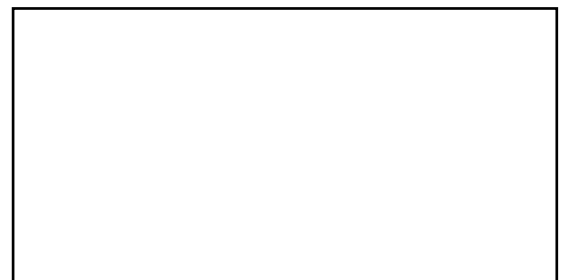


### **WARRANTY**

2 YEARS PARTS & LABOR  
5 YEARS ONLY ON COMPRESSOR



**NEMA**  
5 - 15R  
125 VAC / 15 AMP  
RECEPTACLE



Authorized Dealer

# REFRIGERATION

## 50-INCH REFRIGERATED PIZZA PREP TABLE

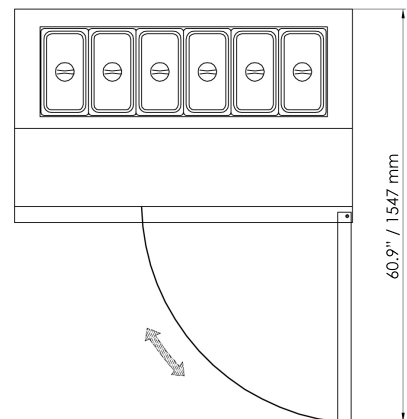
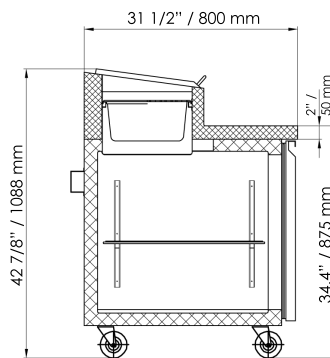
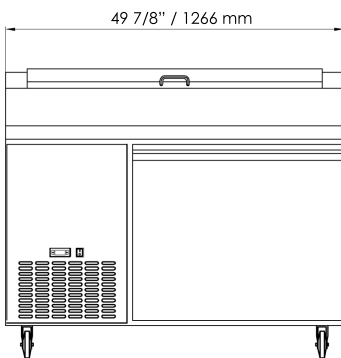


### FEATURES

- Stainless steel interior and exterior, aluminum back
- Refrigeration system keeps food at safe temperatures between 33°F and 41°F (0.5°C to 5°C)
- Self-closing doors with 90 degree stay-open feature
- Adjustable heavy-duty PVC coated shelves
- Cutting board thickness: 15 mm
- Uses Hydro-Carbon R290 refrigerant, which is environmentally friendly and more efficient

ITEM NUMBER	50042	NUMBER OF DOORS	1
MODEL	PT-CN-1270-HC	NUMBER OF SHELVES	1
DESCRIPTION	50" Refrigerator	SHELF CAPACITY	33 kg. / 73 lbs.
TEMPERATURE RANGE	0.5°C -5°C / 33°F - 41°F	CUTTING BOARD	49.8" x 19.5" x 0.6" 1264 x 496 x 15 mm
MAX AMBIENT TEMPERATURE RATING	32°C / 90°F	EXTERIOR DIMENSIONS (WDH)	49 7/8" x 31 1/2" x 42 7/8" 1266 x 800 x 1088 mm
HORSEPOWER	1/6 HP	INTERIOR DIMENSIONS (WDH)	27.4" x 22.8" x 26.2" 696 x 580 x 665 mm
ELECTRICAL	110V / 60Hz / 1Ph	PACKAGING DIMENSIONS	54 3/8" x 36 2/8" x 45 5/8" 1380 x 920 x 1160 mm
AMPS	2.64	NET VOLUME	13.8 cu. ft. / 391 L
REFRIGERANT	R290	WEIGHT	374 lbs. / 170 kg.
ISOLATION MATERIAL	Cyclopentane	PACKAGING WEIGHT	497 lbs. / 226 kg.
COOLING SYSTEM	Ventilated		
NUMBER OF INSERTS	Six 1/3 pans		

### ▶ TECHNICAL DRAWINGS AND DIMENSIONS



## OMCAN INC.

Telephone: 1-800-465-0234

Fax: (905) 607-0234

Email: [sales@omcan.com](mailto:sales@omcan.com)

Website: [www.omcan.com](http://www.omcan.com)



Follow us to keep up to date with the latest news and offers



2017 E&OE